



Windforce

The Windforce creates an air flow with an extreme speed, so that cows are optimally cooled and insects disappear from the barn. An additional advantage is that fresh outside air is sucked into the barn through the side walls.

Cooling-effect

Traditional fans slowly blow air from the top of the barn and straight down on top of the cows. The Windforce is doing something special: after subtracking the air, the airflow increases in speed rapidly into a horizontal movement. Due to the adjustable sidewings this airflow is guided over and under the cows. The cooling effect that is created in this way cannot be created by any other ventilator.

Advantages

- High airflow in horizontal direction, flowing over and under the cows
- Airflow can go in every desired direction with the adjustable sidewings
- Capacity per ventilator is approx. 500 sq. m.
- Maintenance free cover of fiberglass
- Mounting on spans or roof construction Luchtsnelheid op 21 meter, minimaal 1,5 m/s
- SMC Fiberglass housing which is durable and easy to clean

Characteristics

Also available with direct driven permanent magnet motor.

- Available in three sizes:

Windforce 3 with 4 wings

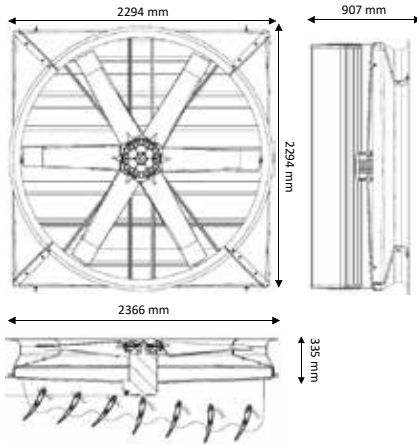
Windforce 5 with 6 wings

Windforce 8 with 7 wings

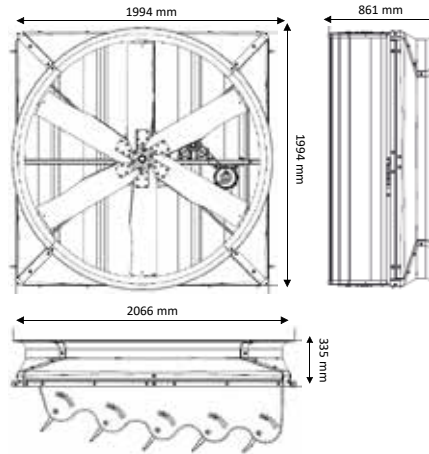


Dimensions

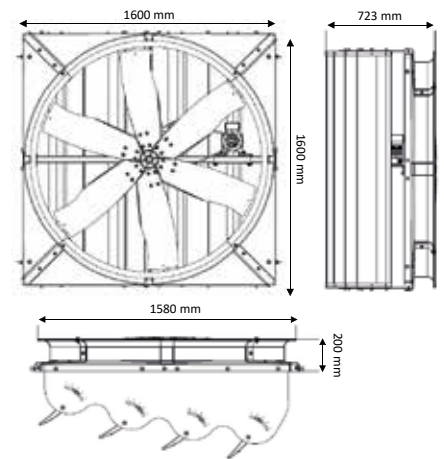
Windforce 8



Windforce 5



Windforce 3



Windforce in practice



Performance data

Windforce type	Diameter propeller	Kilowatts (kW)	Voltage (V)	Ampere (A)	Air flow (m3/h)	Efficiency (m3/h/W)
Windforce 8	213 cm	4.0	230/400	10.8/5.6	123.994 m3/hour	31,0
Windforce 5	183 cm	2.2	230/400	8.3/4.8	87.643 m3/hour	39,8
Windforce 3	140 cm	1.1	230/400	4.5/2.5	45.341 m3/hour	38,4

* Other configurations possible

* For more information, please contact us.

Cowhouse International

www.cowhouse.com

Nobelweg 1

8912 BJ Leeuwarden

The Netherlands

+31 (0)88 1012 900



Follow us on:



info@cowhouse.nl

www.cowhouse.com